



# Finishing accessories

**A perfect flooring installation can be achieved with the help of professional accessories, which complement the finish of the floor. To give a floor this finishing touch, Forbo offer a collection of high quality skirtings, profiles, stairnosings and accessories.**

## **Skirtings**

The skirtings collection is designed to provide both a functional and an attractive junction between the floor and the wall. A variety of colours and materials allows creation of many practical and aesthetical designs.

## **Profiles and accessories**

The profiles collection provides a safe and functional transition between different floor coverings. These profiles are available in an attractive palette of colours, matching the popular colours of the Forbo flooring collection. Practical accessories will provide a professional finish.

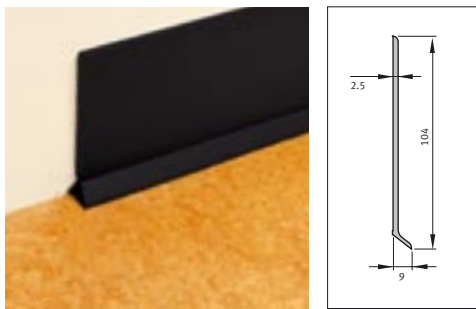
## **Stairnosings**

The stairnosings provide a safe and secure step. They prolong the life of the floor covering and can be used as a visible and attractive design feature.

### **Recommended adhesives**

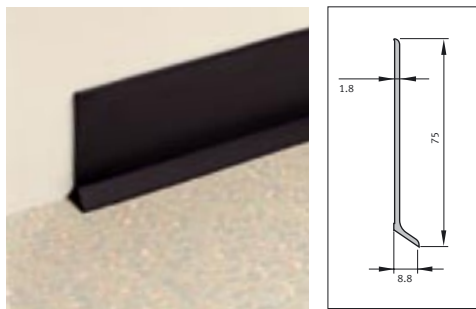
Flexible profiles and skirtings: Forbo Elastocol 580 contact.

Marmoform S skirtings: Forbo Elastocol 590 Marmoleum or 690 Marmoleum.



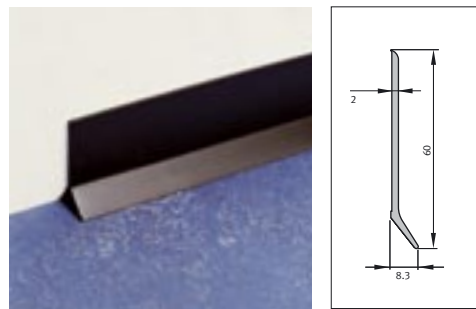
**Article reference : PX**  
A 104 mm high flexible sit-on cove skirting.

**Length** : 50 m coil  
**Number per carton box** : 1  
**Minimum order**  
**special colours** : 1000 m  
**Colours** : 01 11 14 17 18 19



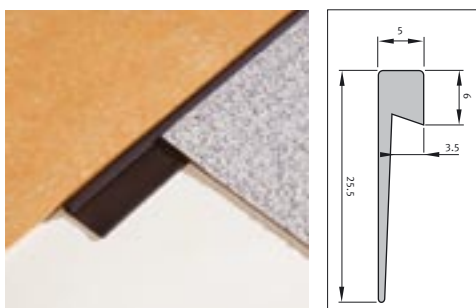
**Article reference : PY**  
A 75 mm high flexible sit-on PVC cove skirting.

**Length** : 50 m coil  
**Number per carton box** : 1  
**Minimum order**  
**special colours** : 1000 m  
**Colours** : 01 11 14 17 18 19



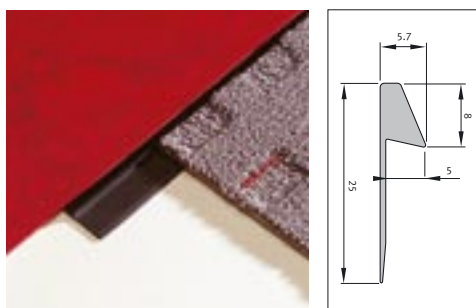
**Article reference : PZ**  
A 60mm high flexible sit-on PVC cove skirting.

**Length** : 50 m coil  
**Number per carton box** : 1  
**Minimum order**  
**special colours** : 1000 m  
**Colours** : 01 11 14 17 21



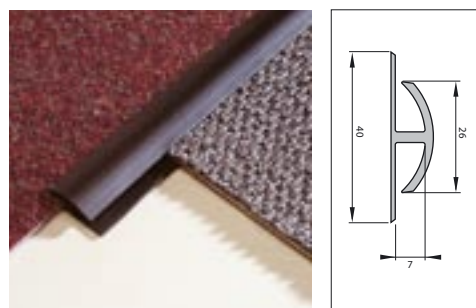
**Article reference : WA**  
Edging strip for transition between resilient flooring and carpet. May also be used as a decorative and hygienic capping strip for coved or Marmoform S skirting.

**Length** : 50 m coil  
**Number per carton box** : 1  
**Minimum order**  
**special colours** : 3000 m  
**Colours** : 01 11 12 13 17 18



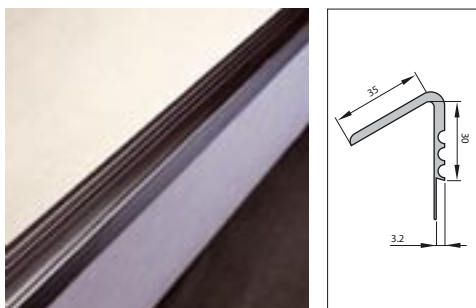
**Article reference : WB**  
Transition strip for use with carpet, carpet tile or entrance mats to resilient flooring. May also be used for forming curved transitions, due to its horizontal flexibility.

**Length** : 50 m coil  
**Number per carton box** : 1  
**Minimum order**  
**special colours** : 3000 m  
**Colours** : 01 11 12 13 17



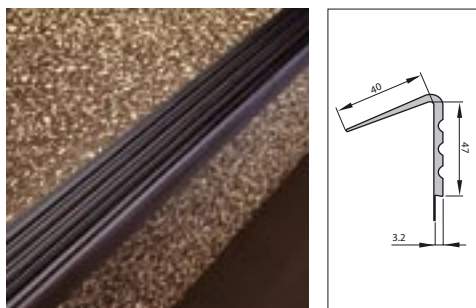
**Article reference : WO**  
Junction strip for use between different carpet finishes or between carpets and entrance mats.

**Length** : 2,3 m  
**Number per carton box** : 20  
**Minimum order**  
**special colours** : 1000 m  
**Colours** : 01 11 12 13 17



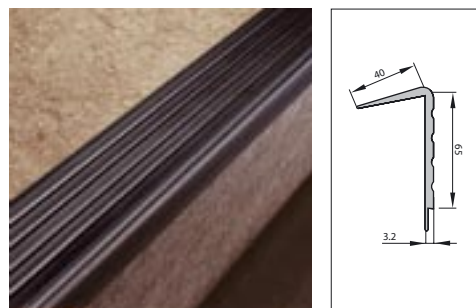
**Article reference : TA**  
Standard size general-purpose stair nosing; top surface is ribbed for improved slip-resistance and safety.

**Length** : 2,3 m  
**Number per carton box** : 10  
**Minimum order**  
**special colours** : 500 m  
**Colours** : 01 11 14 16 17 21



**Article reference : TF**  
Large general-purpose stair nosing; top surface is ribbed for improved slip-resistance and safety.

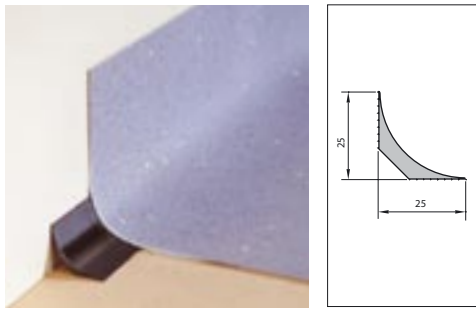
**Length** : 2,3 m  
**Number per carton box** : 10  
**Minimum order**  
**special colours** : 500 m  
**Colours** : 01 11



**Article reference : TJ**  
Heavy-duty stair nosing for situations where intensive traffic is expected.

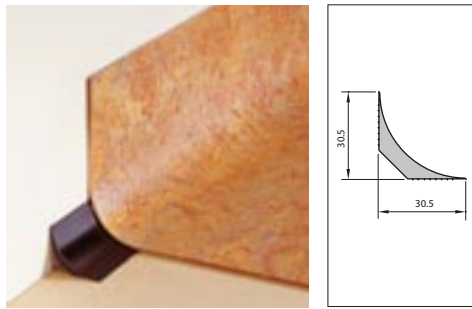
**Length** : 4,5 m  
**Number per carton box** : 5  
**Minimum order**  
**special colours** : 250 m  
**Colours** : 01





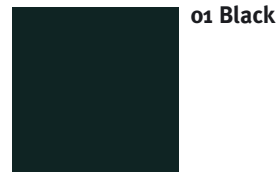
**Article reference : PR**  
An extruded cove former with a 25mm internal radius for use with vinyl floor finishes.

**Length : 2,3 m**  
**Number per carton tube : 20**  
**Minimum order special colours : 1000 m**  
**Colours : 01**

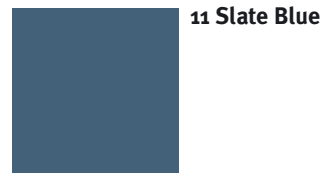


**Article reference : PS**  
An extruded cove former with a 30 mm internal radius for use with linoleum floor finishes

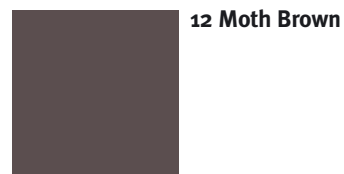
**Length : 2,3 m**  
**Number per carton box : 20**  
**Minimum order special colours : 1000 m**  
**Colours : 01**



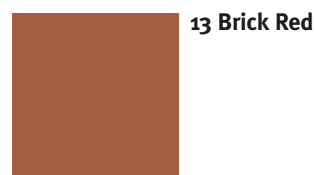
**01 Black**



**11 Slate Blue**



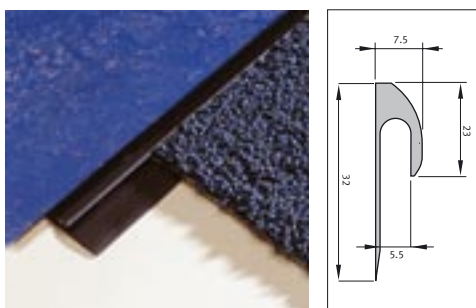
**12 Moth Brown**



**13 Brick Red**

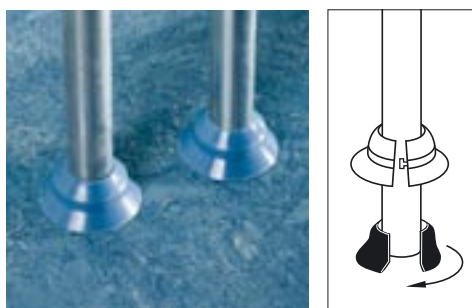


**14 Caramel**



**Article reference : WX**  
Covering transition strip for use with carpet, carpet tile or entrance mats to resilient flooring.

**Length : 2,3 m**  
**Number per carton box : 20**  
**Minimum order special colours : 1000 m**  
**Colours : 01 11 12 13 17**



**Article reference : RS**  
Covering flange for pipes between 15-20 mm diameter. A pack contains 2 flanges for smaller diameters from 15 mm on, and 2 for larger diameters up to 20 mm, so pipes from  $\varnothing$  15-20 mm can be covered. Self-adhesive flexible sealing tape is included in each blister, to prevent damage from leakage of liquids.

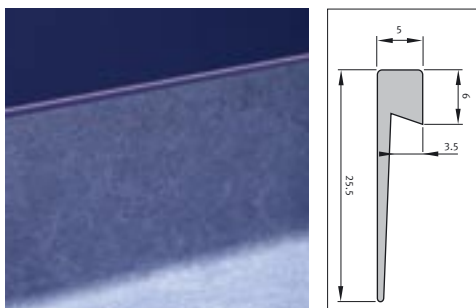
**Number per blister : 2**  
**Colours : 01 11 16 17**



**16 Ivory**



**17 Light Grey**



**Article reference : WA**  
Capping strip to finish the top edge of covered skirtings, such as Marmiform S or site formed cove.

**Length : 50 m**  
**Number per carton box : 1**  
**Minimum order special colours : 3000 m**  
**Colours : 01 11 12 13 17 18**

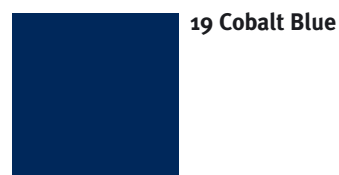


**Article reference : PV**  
Ventilated skirtings allow good ventilation of the substrate, especially when an impervious floor is installed (e.g. vinyl flooring, or foil or foam under floorings). After the floor is installed, the profile can be mounted on the wall using screws. A decorative strip covers the screw fixings.

**Length : 3 m**  
**Number per carton box : 20**  
**Colours : 17 or 20 (white)**



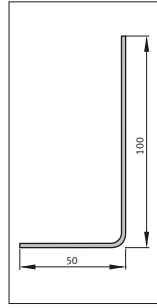
**18 Hot Pepper**



**19 Cobalt Blue**



**21 Metallica**



### Marmoform S skirtings

Pre-formed Marmoleum/ Artoleum skirtings add the finishing touch to the floor. When the skirting is welded to the linoleum floor, it ensures a hygienic, watertight floor. The top edge may be covered for hygiene or aesthetic purposes, using WA edging strip.

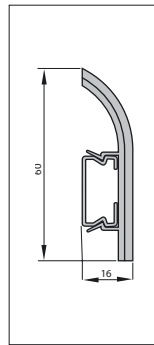
- Length* : 2,40 m
- Standard dimensions* : 50 mm foot x 100 mm high, other on request
- Order multiples for standard dimensions* : for 2,0 mm: per 13 lengths,  
for 2,5 mm: per 1 length,  
for 3,2 mm: per 13 lengths.
- Colours* : All colours from stock in real and fresco range; other on request.



### Marmoform S Corners

Inner- and outer corners for the Marmoform S skirtings can be produced on request. These have the same heights and width as the S-skirtings ordered.

- Length on the wall* : 2x ca. 140 mm (Inner corner)  
2x ca. 100 mm (Outer corner)
- Order quantities for standard dimensions (all thicknesses)* : per 7 pieces
- Colours* : all Marmoleum and Artoleum



### Marmoform C

Functional and attractive wall-to-floor junction; can also be used for hiding cables.

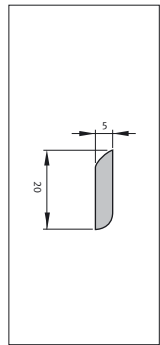
Self-adhesive tape is used to fix the wall-strip. If necessary the strip can be screwed to the wall and wires or cables placed into it. The skirting then is simply clicked onto the wall-strip.

- Length* : 2,40 m
- Colours* : All colours of the Marmoleum click collection
- Order multiples for stock colours* : per 4 lengths
- Order quantities for special colours* : per 25 lengths

### Accessories for Marmoform C:

Inner corners, outer corners, left end caps, right end caps and joint-covers are available, packed per 10 pieces each.

- Colours* :  01 11 12 13 14 16 17



### Colouredge marble MR

Colouredge marble is a self-adhesive profile, to cover the expansion gap between wall and panels of Marmoleum click or Easy loc floors. The profile has a strong and durable surface and is easy to cut using standard profile scissors.

- Length* : 2,4 m
- Number per foil* : 4
- Special colours* : not available
- Colours* : all colours of the current Marmoleum click and Easy loc collection.



NBS Plus

**Ireland**

Forbo Ireland Ltd.  
2 Deansgrange Business Park  
Blackrock, Co Dublin  
T 01 2898 898  
F 01 2898 177  
info.ireland@forbo.com  
www.forbo-flooring.ie

**United Kingdom**

Forbo-Nairn Ltd.  
P.O. Box 1, Kirkcaldy  
Fife, KY1 2SB  
T 01592 643777  
F 01592 643999  
info.uk@forbo.com  
www.forbo-flooring.co.uk

**Australia**

Forbo Floorcoverings Pty Ltd.  
23 Ormsby Place  
Wetherill Park, NSW 2164  
T (02) 9828 0201  
F (02) 9725 3456  
info.au@forbo.com  
www.forbo-flooring.com.au

**Other countries**

Forbo Flooring  
P.O. Box 13  
1560 AA Krommenie  
The Netherlands  
T +31 75 647 74 77  
F +31 75 647 77 01  
contact@forbo.com  
www.forbo-flooring.com



creating better environments